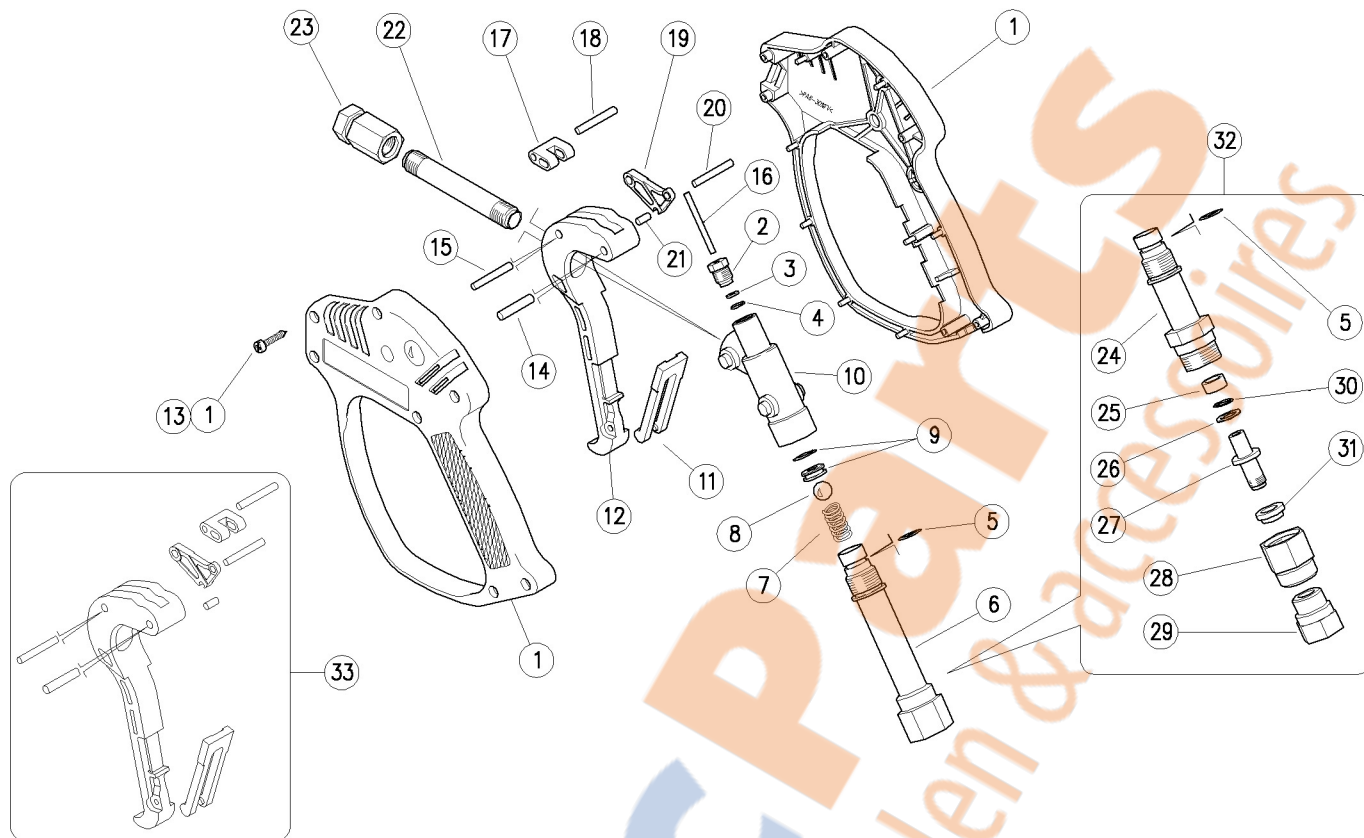


30.4100.10 RL51 spr.gun 3/8F-1/4F Bsp  
 30.4100.60 RL51 spr.gun 3/8F-1/4F Npt

30.4120.10 RL51 spr.gun +sw 3/8F-1/4F Bsp



Pos.	P/N	Description	Q.ty	K1	K2	K3	K4	
1	30.4129.24	Casing-kit -RL51 +screws	1					1
2	30.4115.31R	Front Plug, M10x1 brass	1					10
3	10.4018.00R	Back-up ring, 3,2x7,5x1,2 mm	1	•	•			10
4	10.3165.00R	RO-ring, 2,62x2,84 mm Vi 70	1	•	•			10
5	10.3060.01R	RO-ring, 1,78x12,42 mm Ni 85	1	•	•			10
6	30.4106.35R	Inlet housing, 3/8F Bsp brass (1)	1					3
6	30.4119.35R	Inlet housing, 3/8F Npt brass (2)	1					3
7	30.4108.51R	Spring, 1,6x8,8x24 mm Sst.	1					10
8	14.7461.00R	Ball, 13/32" Sst.	1	•	•			10
9	30.1002.20R	Seat, 7mm Sst. +O-ring 1,78 mm	1	•	•			10
10	30.4105.35R	Housing -RL51/56, brass	1					3
11	30.1514.84R	Safety latch, PA yellow	1					10
12	30.4127.84R	Trigger -RL51/56, PA black	1					10
13	16.3077.00R	S/tapping screw, DIN7981 3,5x18 mm	7					10
14	30.4114.51R	Parallel pin, 5x33 mm Sst.	1					10
15	30.4121.51R	Parallel pin, 5x22 mm Sst.	1					10
16	30.4109.51R	Piston, 3x37,6 mm Sst.	1	•	•			10
17	30.4104.84R	Connecting rod, PA black	1					10

Pos.	P/N	Description	Q.ty	K1	K2	K3	K4	
18	30.4113.51R	Parallel pin, 4x29 mm Sst.	1					10
19	30.4124.84R	Connecting rod -RL51/56, PA black	1					10
20	30.4112.51R	Parallel pin, 4x20 mm Sst.	1					10
21	30.4122.51R	Parallel pin, 4x13 mm Sst.	1					10
22	30.4110.56R	Front tube, 1/4Bsp MM 85mm Sst.	1					3
23	30.4111.31R	Outlet coupl., 1/4Bsp FF brass (1)	1					3
23	30.4117.31R	Outlet coupl., 1/4F Bsp-1/4F Npt brs. (2)	1					5
24	30.4521.31R	Swivel inlet housing, brass (3)	1					3
25	26.1046.84R	Bushing, 10x14x7 mm Plast. (3)	1	•				5
26	10.4010.01R	Back-up ring, 10,2x13,9x1,2mm (3)	1	•				50
27	26.1041.31R	Pin, M12x1,25 brass (3)	1					10
28	26.1042.31R	Ring nut, M22x1 brass	1					10
29	30.4522.31R	Coupl., M12x1,25F-3/8F Bsp brass (3)	1					3
30	10.3109.95R	RO-ring, 2,4x9,3 mm Vi 70 (3)	1	•				25
31	26.1045.84R	Bushing, 12x20x6 mm Plast. (3)	1	•				5
32	30.4125.24	Tube+sw. -RL51, 3/8F Bsp (3)	1					3
33	30.4131.24	Trigger kit -RL50-51, yellow saf.latch	1					1

Kit	P/N	Description	
K1	30.4118.24	Spar.kit -RL50-51, 7(6)x1pcs.	1
K2	30.4123.24	Spares kit -RL50/1+sw, 11(10)x1pcs.	1

(1) 30.4100.10 (2) 30.4100.60 (3) 30.4120.10